

ALL Cable Glands For Non-Aromored cable



EXPLOSIONPROOF

For UL.60079-1 Standard Class I Div.1, 2 Groups C,D

ClassII Div.1 and 2 Groups E,F and G

For IEC.60079-0/1 Standard Zone 1 and Zone 2



● Technical data

Type of Protection: Ex d IIA T6

Conforming to : Standards IEC 60079-1 or UL 60079-1

Marking for test : Ex II2G

Degree of Protection : IP66 acc.To IEC 60529

Ambient Temp. (Ta) : -20 °C to+ 75 °C

Type :ALL

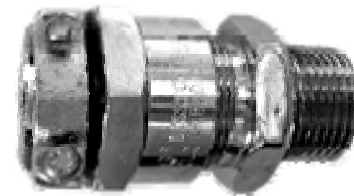
Protection class for UL. : Class I, Divition 1,2 Groups C,D

Class II, Divition 1, 2 Groups.E,F,G

Class III

Protection class for IEC : Zone1and Zone 2

Conduit hub - 1/2" - 3.1/2" NPT. / Cable O.D. - 9 to 80 mm.



ALL

● Applications:

ALL cable fitting for use with non-amored cable type MV (unarmored), TC in hazardous location or SE (round), UF ,CVW ,VCT and NYY in non-hazardous locations to provide cord or cable connection by mens of passing into cabinets, junction boxes, panelboards etc. provide oil and water resistant.

● Features:

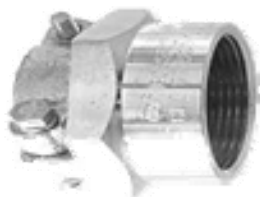
- Complete range of sizes for round cord or cable.
- Bronze construction is finished with chromium plate for corrosion resistant.
- Cable clamp provides a non-slip termination.
- Neoprene bushing provides oil and water resistant seal.
- Slip ring prevents the bushing twisted during assembly.
- May be installed in either horizontal or vertical position.

● Standard Finishes:

- Bronze
- Chromium plated
- Stainless
- Natural

● Standard Materials:

- Body, gland nut with cable clamp - Bronze
- Slip ring - Stainless steel
- Bushing - Neoprene
- Bolt - Stainless steel



Gland nut
with Cable clamp



Slip ring



Neoprene
bushing



Body
(NPT , Male thread)

★ *May be used in hazardous locations only with specific cords or cabes and installed in accordance with NEC requirements*

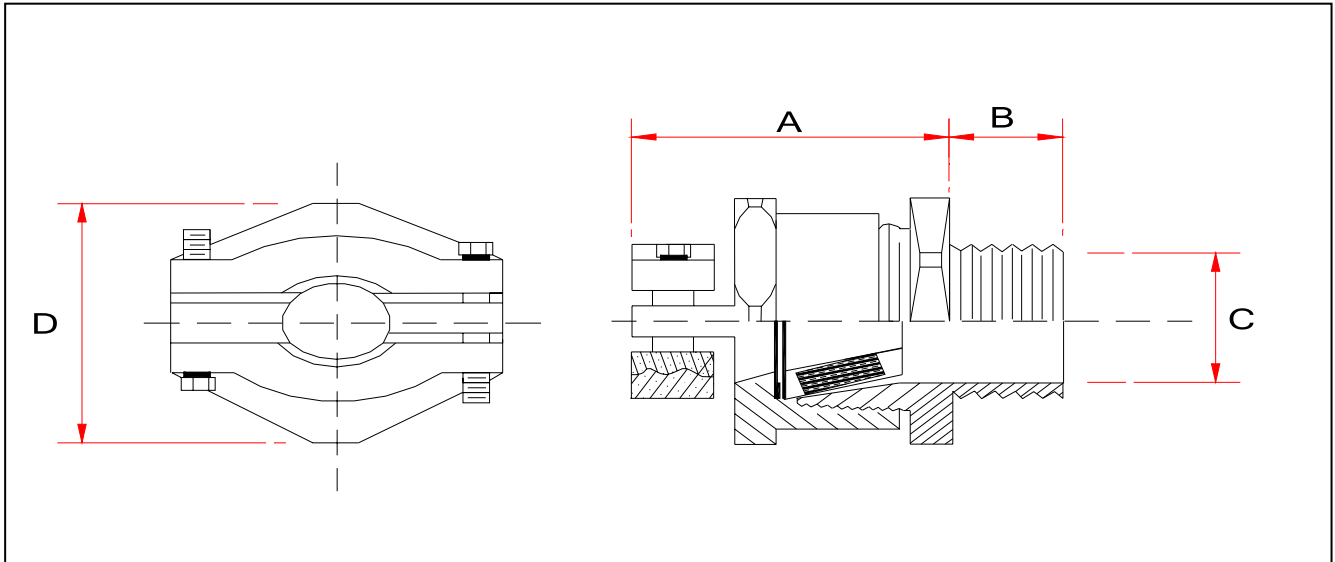
ALL Cable Glands For Non-Aromored cable

EXPLOSIONPROOF

For UL.60079-1 Standard Class I Div. 1,2 Groups C,D

ClassII Div.1 and 2 Groups E,F and G

Catalogue Numbers and Dimensions: in mm. For IEC.60079-0/1 Standard Zone 1 and Zone 2



Cable Jacket Outer Diameter (mm.)	Male Thread NPT Size (inch)	Cat.,No.	Dimensions in mm.			
			A	B	C	D
9 - 14	1/2"	ALL 114	45	16	14	37
15 - 19	3/4"	ALL 219	49	21	19	35
20 - 22	1"	ALL 322	58	20	26	35
23 - 24	1"	ALL 324	58	20	26	35
25 - 27	1.1/4"	ALL 427	66	19	34	61
28 - 30	1.1/4"	ALL 430	66	19	34	61
31 - 36	1.1/2"	ALL 536	70	19	39	69
37 - 40	1.1/2"	ALL 540	70	19	39	69
41 - 48	2"	ALL 648	76	19	49	80
49 - 54	2.1/2"	ALL 754	77	30	59	89
55 - 58	2.1/2"	ALL 758	77	30	59	89
59 - 64	3"	ALL 864	77	30	71	105
65 - 70	3"	ALL 870	77	30	71	105
71 - 76	3.1/2"	ALL 976	80	30	81	117
77 - 80	3.1/2"	ALL 980	80	30	81	117