



FLUORESCENT FIXTURES FOR HAZARDOUS LOCATIONS

Certification Number:



TIS 1955-2542



TIS 902-2532



Technical data

(TIS902 -Certification Under Preparation)

- Type of Protection: Ex de IIA T6
- Conforming to : Standards IEC 60079-0/1 or UL 60079-1
- Marking for test : Ex II2G
- Degree of Protection : IP66/67 acc.To IEC 60529
- Ambient Temp. (Ta) : -20°C to+ 50 °C
- Rated Voltage : 220-240V.AC. 50/60Hz.
- Type :DRTS
- Lamp : Fluorescent 18/20w., 36/40w.Socket G 13
- Ballast : Rabbit - Start 20,40w. or Electronic 18,36w.
- Enclosure entry holes : Direct entry 2 x 3/4" NPT.
- Power factor cos : P.F. ≥ 0.95
- Protection class for UL : Class I, Division 1or 2 Group.C,D
Class II, Division 1 or 2 Groups.E,F,G
Class III
- Protection class for IEC : Zone1 and Zone 2
- Options : Fixture hangle box 2 way 2x3/4"
Stopping plug 1x3/4" and Ceilling Saddle 1x3/4"
- Transparent cover : Borosilicate - glass
- Reflector : High grade aluminium anodised reflector
- Weight : 17 kg

Applications:

The *DRTS* Fluorescent Lighting Fixtures are suitable to use for Use inside paint spray booths where hazardous fumes, gases, oil refineries, petrochemical plants, paint manufacturing plants, flour mills, and paint residue are present. This includes powder paint process areas.

Pendant mounting indoor, outdoor or wet and corrosive locations

Features:

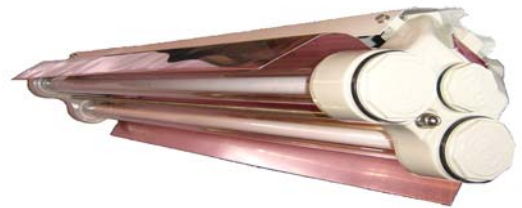
- Continuous and uniform illumination made possible by mounting end to end (nospace needed between fixtures for relamping)
- No special tools required for relamping Threaded lamp tube cover provides quick and easy access for relamping.
- Reflectors can be removed, replaced, adjusted with only a screwdriver.
- Body is made from copper free aluminium alloy and coated with epoxy-polyester powder for high corrosion resistant.
- Ballast meet IEC 60928/TIS885-2532,TIS 1955-2542
- Heavy-duty glass lamp tubes provide maximum strength and impact resistance to protect lamps.
- Easy to install.Factory sealed and wired Fixture Facilitates installation

Standard Materials:

- Copper-Free aluminum except sheet aluminum alloy
- Blrrocilicate glass, heat and impact resistant.
- Reflector ☆ - Aluminum



TYPE DRTS 240G



TYPE DRTS 240



TYPE DRTS 140



TYPE DRTS 140G

Standard Finishes:

- Copper-free aluminium - Epoxy-polyester power coated.
- Stainless steel - Natural
- Sheet - Epoxy - polyester powder coated.

Options:

- For suitability for locations and locations having deposits of readily combustible paint residue add- suffix - *D*
Guard (Stainless steel) add - suffix - *G*
☆ Reflector (aluminium or Stainless steel), add suffix - *A,S*
Emergency power pack,add- suffix - *E*



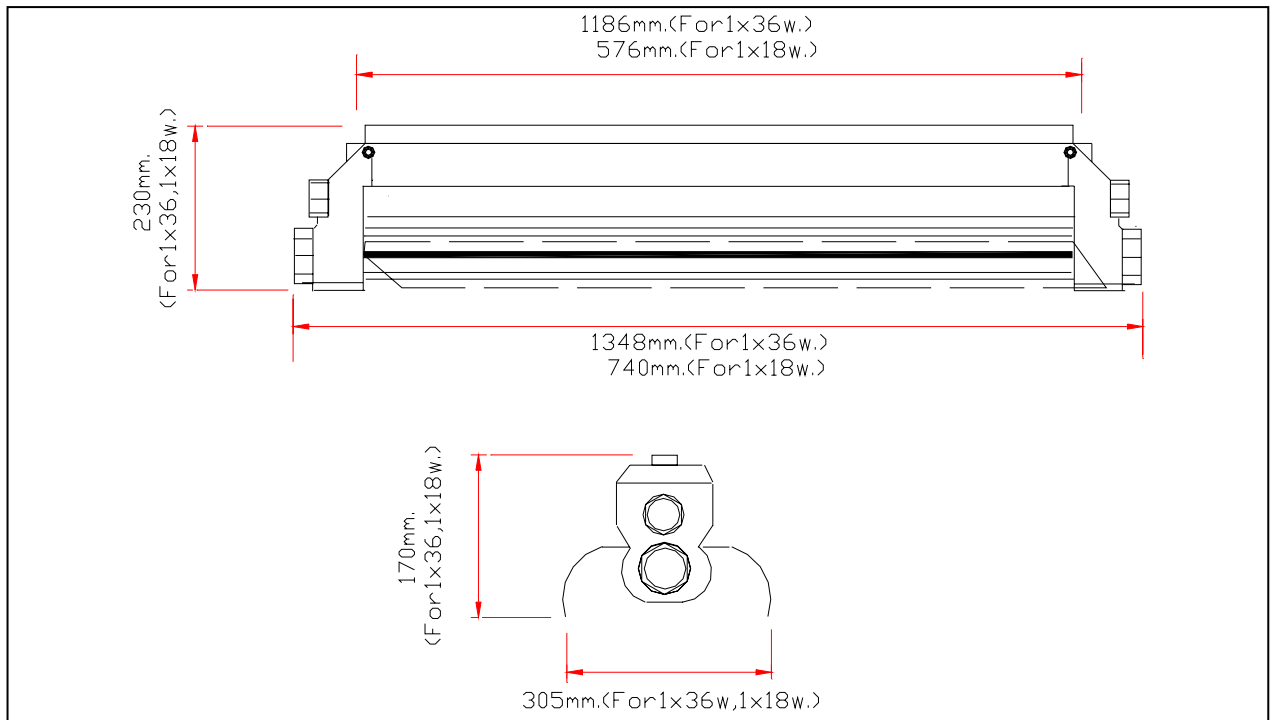
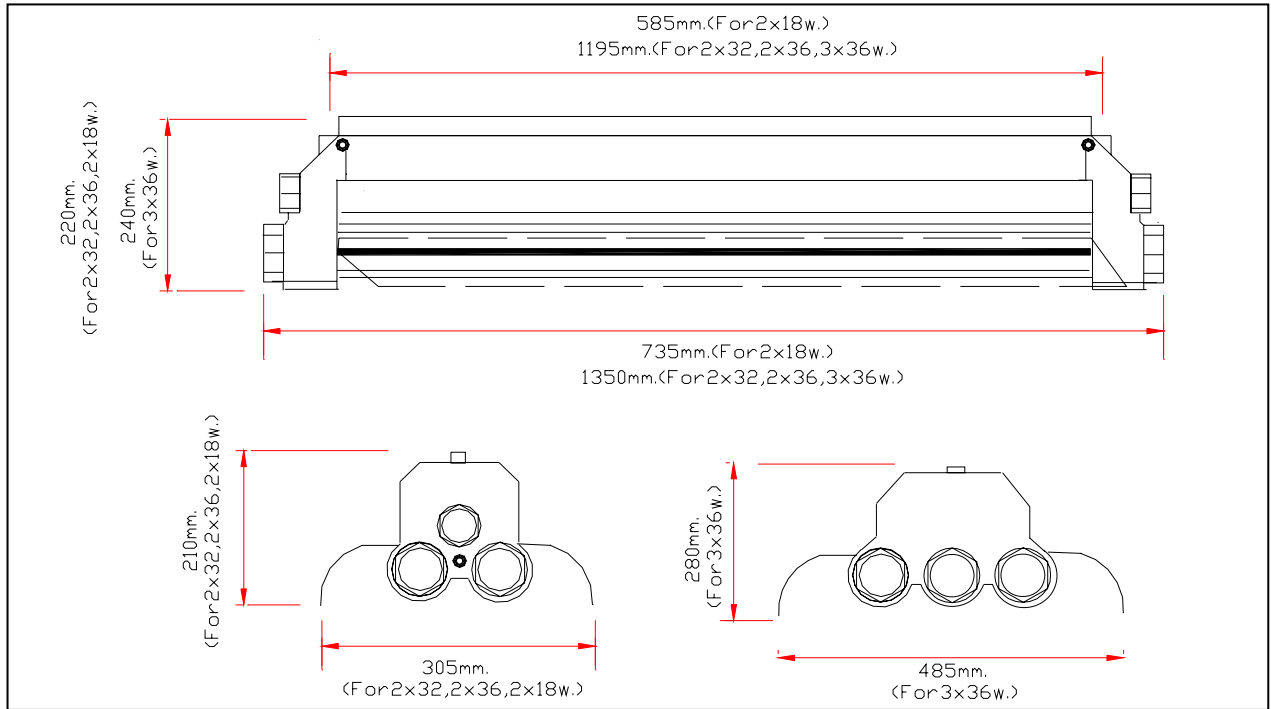
FLUORESCENT FIXTURES FOR HAZARDOUS LOCATIONS

EXPLOSIONPROOF

For UL.60079-1 Standard Class I, II Div.1 and 2 Groups C,D,E,F and G

For IEC.60079-0/1 Standard Zone 1 and Zone 2

Dimension In MM.



FLUORESCENT FIXTURES FOR HAZARDOUS LOCATIONS



Bosston

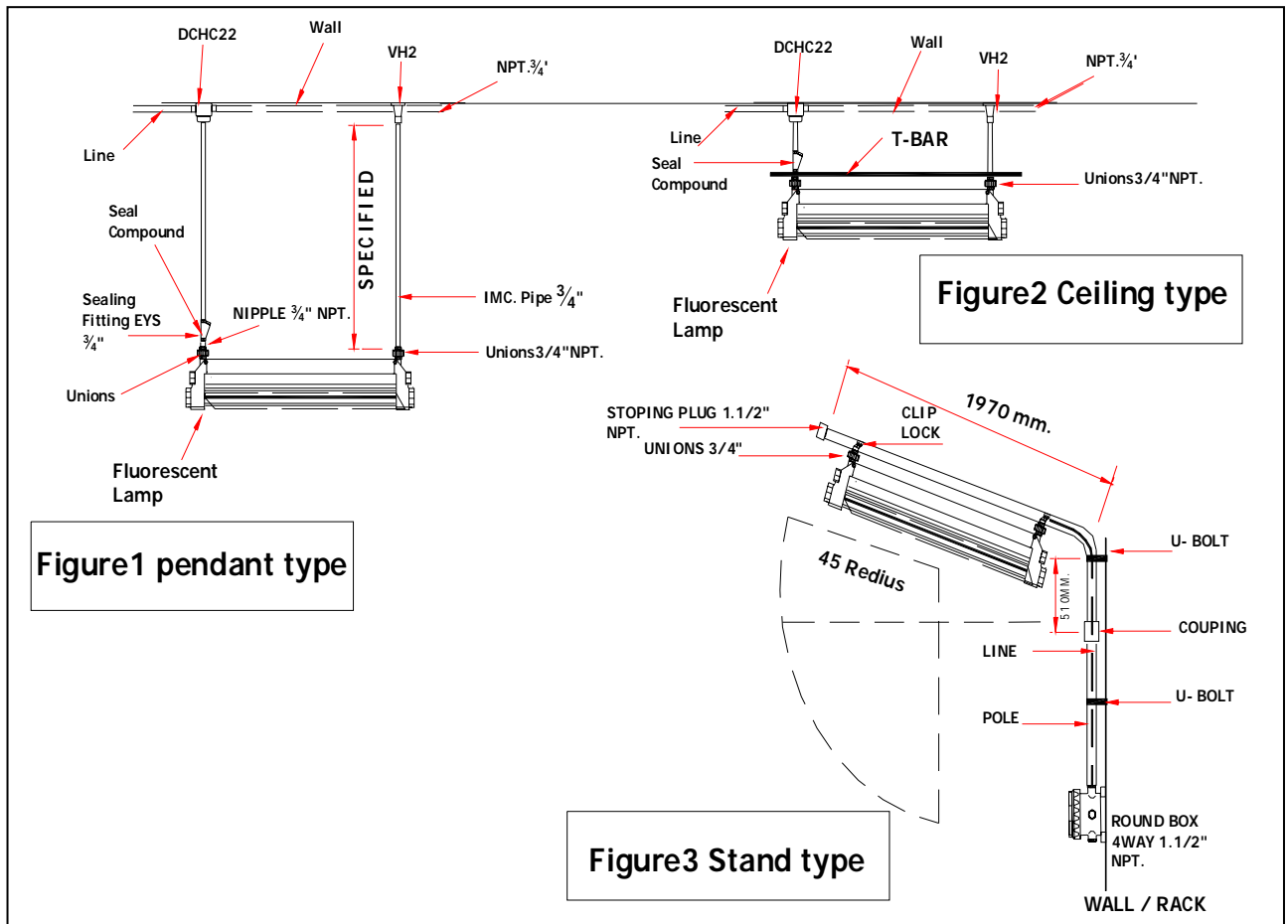
A QUALITY PRODUCT

EXPLOSIONPROOF

For UL.60079-1 Standard Class I, II Div.1 and 2 Groups C,D,E,F and G

For IEC.60079-0/1 Standard Zone 1 and Zone 2

Typical Installations



Catalogue Numbers:

Lamp Watts:	Cat.,No.	Weight	With Guard	Weight	Temp.Class (Surface Temp.)	
		(kgs.)	Cat.,No.	(kgs.)	40 C Ta	55 C Ta
1 x 18w.	DRTS120	9.80	DRTS 120G	10.20	T 6	T 6
1x36w.	DRTS 140	7.60	DRTS 140G	8.40	T 6	T 6
2X18W.	DRTS 220	12.40	DRTS 220G	12.80	T 6	T 6
2X32W.	DRTS 232	18.90	DRTS 232G	19.00	T 6	T 6
2X36W.	DRTS 240	17.30	DRTS 240G	17.80	T 6	T 6
3x36W.	DRTS 336	20.30	DRTS 336G	21.28	T 6	T 6

Note : The lighting fixture is inclusively supplied only lamp tube , ballast , Fixture Hangle(DCHC22),

Ceiling Saddle(VH2) , The other fittings for installation shall be separately ordered.



