

REQS Receptacles and EPJ Plug Factory Sealed



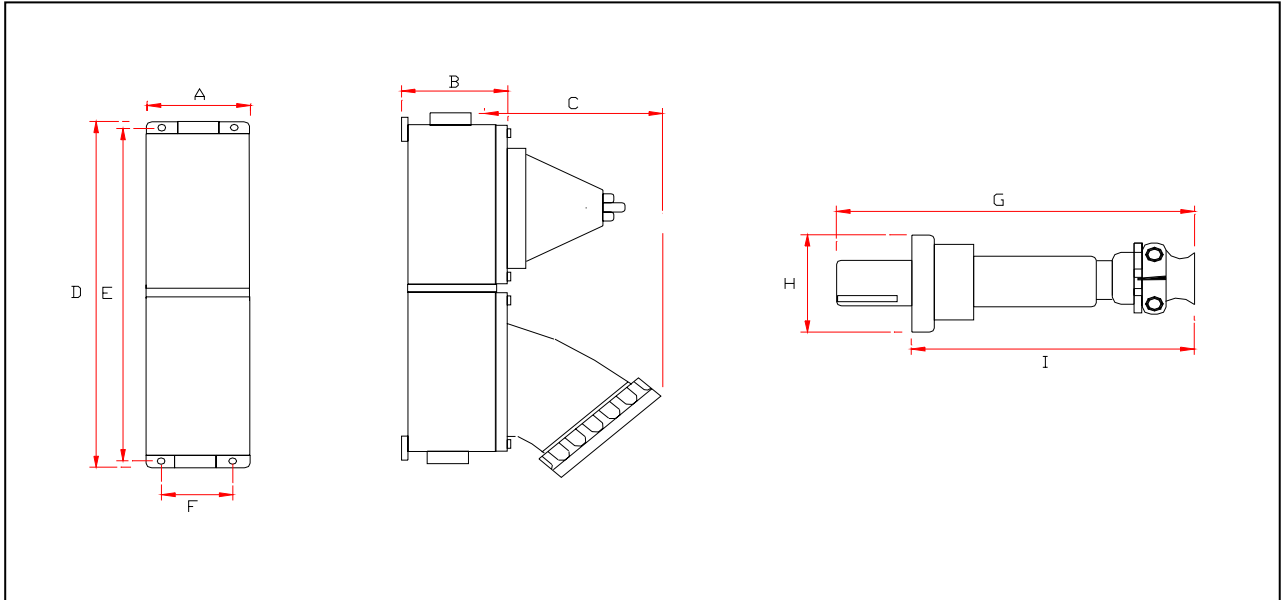
A QUALITY PRODUCT

EXPLOSIONPROOF

For UL.60079-1 Standard Class I,II Div.1 and 2 Groups C,D,E,F and G

For IEC.60079-0/1 Standard Zone 1 and Zone 2

Dimensions in MM.



Dimension in mm.

Amp. Trip									
Switch	A	B	C	D	E	F	G	H	I
1PH / 2W / 3P (2P+G)									
10	90	73	162	177	155	70	153	75	110
15	90	73	162	177	155	70	153	75	110
20	90	73	162	177	155	70	153	75	110
30	90	73	162	177	155	70	153	75	110